

HOTSYS High-Pressure Hose

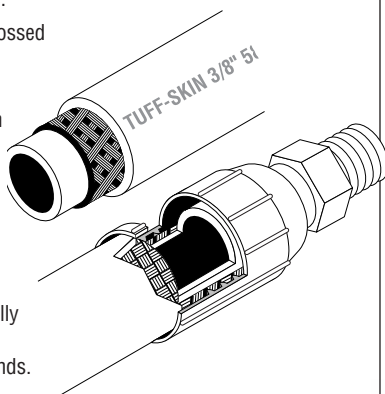
For use with: hot or cold-water pressure washer

There is no other high-pressure hose as tough as HOTSYS's Tuff-Skin™ hose. When tested to ISO 6945 / DIN 20024, the Tuff-Skin has proven to be seven times more abrasion resistant than standard pressure washer hoses yet is 20% more flexible. The Tuff-Skin, with its unique design, has been engineered for a greater continuous temperature range—from -40° to 275°F / 310°F intermittent—and for handling pressures of up to 5800 psi.

Besides its maximum-strength Class A ORS (Oil Resistance Standard)—most other brands are Class B—the Tuff-Skin has a “bite-the-wire” coupling that grips the hose better than any other design.

Both single- and double-wire braid hoses come with durable plastic sleeves on both ends—including a 24-inch sleeve on the gun end—for added operator protection against high-pressure bursts.

- **Greater Oil Resistance:** Both the tube and the cover carry the maximum class A ORS (Oil Resistance Rating) for longer life. Most brands of hose carry only a Class B rating.
- **Higher Temperature Rating:** Tuff-Skin hoses are rated for continuous temperatures up to 275°F / 310°F intermittent—20-30% higher than other brands.
- **Special Wire Braid:** Unique design of braid gives Tuff-Skin hose added durability, greater working pressure and higher impulse cycle in both the double- and single-wire products.
- **Easily Identified:** Permanently embossed identification makes for easy tracing and owner protection.
- **Certified Burst Protection:** Tuff-Skin meets the stringent UL-1776 safety standards with two hose guards—including a 24-inch sleeve on the gun end—for added operator protection against bursts.
- **Higher Abrasion Resistance:** The Tuff-Skin cover has been specially compounded to deliver 7 times the abrasion resistance of other brands.
- **Additional Flexibility:** Even with extra durability, the braid design allows for 20% more flexibility than other brands.
- **Unique Coupling:** A “bite-the-wire” coupling actually reaches the wire braid for never-slip retention, far superior to the “compression” fittings used on conventional hoses.



Tuff-Skin 1-Wire 3000 PSI Hose



- Wrapped impression, maximum oil resistant tube and cover with black hose guard, both ends
- 20% greater flexibility
- 7 times greater abrasion resistance
- Built to SAE 100R1AT OD dimensions
- 3/8" MPT Swivel x 3/8" MPT Swivel

Part No.	Size	ID	Temp	PSI
867256	30'	3/8	275°F	3000
867207	50'	3/8	275°F	3000
707411	75'	3/8	275°F	3000
867303	100'	3/8	275°F	3000

Tuff-Skin 2-Wire 5800 PSI Hose



- Wrapped impression, maximum oil resistant tube and cover
- 50% greater flexibility
- 7 times greater abrasion resistance
- Economically priced
- 3/8" MPT Swivel x 3/8" MPT Solid

Part No.	Size	ID	Temp	PSI
4-020425	25'	3/8	275°	5800
4-020450	50'	3/8	275°	5800
4-020475	75'	3/8	275°	5800
4-020499	100'	3/8	275°	5800

Tuff-Skin 1-Wire 3000 PSI Non-Mar Hose



- Wrapped impression, maximum oil resistant tube blue or yellow non-marking cover.
- 20% greater flexibility
- 7 times greater abrasion resistance
- Built to SAE 100R1AT OD dimensions
- 3/8" MPT Swivel x 3/8" MPT Swivel

Part No.	Size	ID	Temp	PSI	Color
707228	30'	3/8	275°F	3000	Blue
707226	50'	3/8	275°F	3000	Blue
707256	50'	3/8	275°F	3000	Yellow Safety
707270	100'	3/8	275°F	3000	Yellow Safety

Tuff-Skin 2-Wire 4500 PSI Non-Mar Hose



Tuff-Skin Non-marking hose is easy to identify and great for indoor/outdoor floors. Will not mark or scuff. Same Class A oil resistant compound as the Tuff-Skin.

- Non-marking wrapped impression, maximum oil resistant tube and cover
- 50% greater flexibility
- 7 times greater abrasion resistance
- 3/8" MPT Swivel x 3/8" MPT Swivel

Part No.	Size	ID	Temp	PSI	Color
707227	50'	3/8	275°F	4500	Blue

3/8" Tuff-Flex 1-Wire 3000 PSI Hose

Tuff-Flex hose has the same durable cover as the Tuff-Skin hose. A smaller OD allows for even greater flexibility.



- Wrapped impression, maximum oil resistant tube and cover
- 50% greater flexibility
- 7 times greater abrasion resistance
- Economically priced
- 3/8" MPT Swivel x 3/8" MPT Solid

Part No.	Size	Temp	PSI
4-020625	25' x 3/8" ID	275°F	3000
4-020650	50' x 3/8" ID	275°F	3000
4-020675	75' x 3/8" ID	275°F	3000
4-020699	100' x 3/8" ID	275°F	3000

Tuff-Flex 4500 PSI 2-Wire Hose

Tuff-Flex hose has the same durable cover as the Tuff-Skin hose.



- Wrapped impression, maximum oil resistant tube and cover
- 50% greater flexibility
- 7 times greater abrasion resistance
- Hose guard on both ends
- 3/8" MPT Swivel x 3/8" MPT Swivel

Part No.	Size	Temp	PSI
3/8" Hose			
707169	50' x 3/8"	275°F	4500
707213	100' x 3/8"	275°F	4500
1/2" Hose			
867206	50' x 1/2"	275°F	4500
707223	100' x 1/2"	275°F	4500

3/8" 3000 PSI Hose w/ Smooth Cover



- Durable Class A smooth cover
- 50% greater flexibility
- Hose guard on both ends
- 3/8" MPT Swivel x 3/8" MPT Swivel

Part No.	Size	Temp	PSI
707441	50' x 3/8"	275°F	3000
707442	75' x 3/8"	275°F	3000
707443	100' x 3/8"	275°F	3000
707444	150' x 3/8"	275°F	3000

Sewer Hose

SUPER FLEXIBLE SEWER LINE HOSE Hose and couplings have small outside diameter, allowing hose and nozzles to fit through sewer line. Sewer line has Super Tough poly-ether cover over ultra-flexible nylon tube. (1/8" sewer nozzle and hose will operate through many 1-1/2" lines.)



(Nozzles not included.)

- 160°F max temperature
- Nylon tube, poly-ether cover

Part No.	Description	PSI
1/8" Hose, 1/4" inlet / 1/8" outlet		
150960	1/8" x 25'	4800
150963	1/8" x 50'	4800
150964	1/8" x 100'	4800
1/4" Hose, 1/4" inlet / 1/4" outlet		
150968	1/4" x 50'	2600
150970	1/4" x 100'	2600
150972	1/4" x 50'	4400
150973	1/4" x 100'	4400

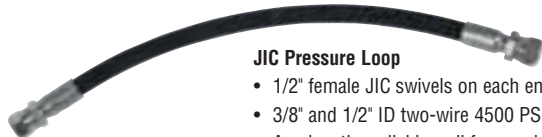
1/4", 3/8" & 1/2" 2-Wire Pressure Loop

The 1/4" ID pressure lines swivel at both ends for most any application. The 3/8" ID pressure loops have female JIC on both ends for a typical unloader connection hose.



1/4" ID Pressure Line

- 1/4" MPT swivel x 1/4" MPT swivel
- 1/4" ID two-wire 5000 PSI, 275°F
- Any length available

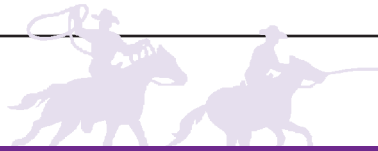


JIC Pressure Loop

- 1/2" female JIC swivels on each end
- 3/8" and 1/2" ID two-wire 4500 PSI, 275°F
- Any length available, call for special orders

Part No.	Size	PSI	Description
4-02021216	16" x 1/4" ID	5000	1/4" Pressure Line
4-02021220	20" x 1/4" ID	5000	1/4" Pressure Line
4-02021226	26" x 1/4" ID	5000	1/4" Pressure Line
4-02021228	28" x 1/4" ID	5000	1/4" Pressure Line
4-02021230	30" x 1/4" ID	5000	1/4" Pressure Line
4-02021236	36" x 1/4" ID	5000	1/4" Pressure Line
707522	42" x 1/4" ID	5000	1/4" Pressure Line
707512	16" x 3/8" ID	4500	JIC Pressure Loop
4-02047720	20" x 3/8" ID	4500	JIC Pressure Loop
4-02047722	22" x 3/8" ID	4500	JIC Pressure Loop
707513	25" x 3/8" ID	4500	JIC Pressure Loop
707529	29" x 3/8" ID	4500	JIC Pressure Loop
867770	36" x 3/8" ID	4500	JIC Pressure Loop
4-02047738	38" x 3/8" ID	4500	JIC Pressure Loop
4-02047742	42" x 3/8" ID	4500	JIC Pressure Loop
4-02067720	20" x 1/2" ID	4500	JIC Pressure Loop
4-02067722	22" x 1/2" ID	4500	JIC Pressure Loop
4-02067728	28" x 1/2" ID	4500	JIC Pressure Loop
4-02067746	46" x 1/2" ID	4500	JIC Pressure Loop
4-02067770	70" x 1/2" ID	4500	JIC Pressure Loop

Rawhide Hose



Superior abrasion-resistant cover hose for use with: hot or cold-water pressure washer

All standard RAWHIDE assemblies include:

- 1 solid end and 1 swivel end
- 6" molded vinyl, color coded bend restrictors (both ends)
- Durable wrapped finish outer cover
- Beefed up high tensile steel wire braid for full 4:1 burst factor
- Superior flexibility
- Smooth bore Synthetic Rubber inner core for greater life and minimal pressure loss
- Temperature up to 250°F



Rawhide 1-Wire 3000 PSI Black Hose

Part No.	Size - ID	Temp	PSI	Approx Wt - lbs
3/8" Black Hose				
158265	25' x 3/8"	250°F	3000	6.00
158270	30' x 3/8"	250°F	3000	7.00
158275	40' x 3/8"	250°F	3000	10.00
158280	50' x 3/8"	250°F	3000	12.00
158285	75' x 3/8"	250°F	3000	17.00
158290	100' x 3/8"	250°F	3000	23.00
158295	150' x 3/8"	250°F	3000	34.00
158200*	500' x 3/8"	250°F	3000	

1/4" Black Hose

158165	25' x 1/4"	250°F	3000	4.00
158180	50' x 1/4"	250°F	3000	8.00
158185	75' x 1/4"	250°F	3000	12.00
158190	100' x 1/4"	250°F	3000	16.00
158195	150' x 1/4"	250°F	3000	24.00
158100*	500' x 1/4"	250°F	3000	

*500 ft reel, 50 ft incremental lengths (max 3 pieces)

Rawhide 1-Wire 3000 PSI Blue & Yellow Non-Marking Hose

ANIMAL FAT RESISTANT

Part No.	Size - ID	Temp	PSI	Approx Wt - lbs
3/8" Yellow Hose				
158980	50' x 3/8"	250°F	3000	12.00
158985	75' x 3/8"	250°F	3000	17.00
158990	100' x 3/8"	250°F	3000	23.00
158900*	500' x 3/8"	250°F	3000	

3/8" Blue Hose

158780	50' x 3/8"	250°F	3000	12.00
158785	75' x 3/8"	250°F	3000	17.00
158790	100' x 3/8"	250°F	3000	23.00
158795	150' x 3/8"	250°F	3000	34.00
158700*	500' x 3/8"	250°F	3000	

1/4" Blue Hose

158880	50' x 1/4"	250°F	3000	8.00
158890	100' x 1/4"	250°F	3000	16.00
158800*	500' x 1/4"	250°F	3000	

*500 ft reel, 50 ft incremental lengths (max 3 pieces)

Rawhide 2-Wire 5000 PSI & 6000 PSI Black 3/8" Hose

- Durable wrapped finish outer cover
- Full 4:1 safety factor



5000 PSI Hose

Part No.	Size - ID	Temp	PSI	Approx Wt - lbs
3/8" Black Hose				
159565	25' x 3/8"	250°F	5000	9.00
159580	50' x 3/8"	250°F	5000	17.00
159585	75' x 3/8"	250°F	5000	25.00
159590	100' x 3/8"	250°F	5000	33.00
159595	150' x 3/8"	250°F	5000	48.00
159500*	500' x 3/8"	250°F	5000	

*500 ft reel, 50 ft incremental lengths (max 3 pieces)

6000 PSI Hose

Part No.	Size - ID	Temp	PSI	Approx Wt - lbs
3/8" Black Hose				
159305	25' x 3/8"	250°F	6000	9.00
159310	50' x 3/8"	250°F	6000	17.00
159315	75' x 3/8"	250°F	6000	25.00
159320	100' x 3/8"	250°F	6000	33.00
159325	150' x 3/8"	250°F	6000	48.00
159300*	500' x 3/8"	250°F	6000	

*500 ft reel, 50 ft incremental lengths (max 3 pieces)

Apex 3000 PSI Hose & Ultima 4500 PSI Hose

Smooth cover hose for use with: hot- or cold-water pressure washers

All standard Apex and Ultima assemblies include:

- 1 solid end and 1 swivel end
- 6" molded vinyl bend restrictors (both ends)
- Smooth outer cover
- Apex 3000 PSI single high tensile steel wire braid
- Ultima 4500 PSI double wire braid high tensile steel
- Seamless inner tube
- Deluxe hose available with quick connects
- Temperature up to 250°F



Apex 3000

Ultima 4500

Apex 3000 1-Wire 3000 PSI Hose

Part No.	Size - ID	Approx Wt - lbs
3/8" Black Hose		
153550	15' x 3/8"	5.0
153555	25' x 3/8"	7.0
153560	30' x 3/8"	9.0
153565	40' x 3/8"	11.0
153570	50' x 3/8"	13.0
153575	75' x 3/8"	19.0
153590	100' x 3/8"	25.0
153595	150' x 3/8"	37.0
153000*	Full Reel	

1/2" Black Hose		
155425	25' x 1/2"	7.50
155450	50' x 1/2"	14.00
155475	75' x 1/2"	21.00
155499	100' x 1/2"	27.00
155400*	Full Reel	

*Full Reel – 500 ft per reel, hose only, 50 ft incremental lengths (max 3 pieces)

1/4" Black Hose		
151025	25' x 1/4" ID	5.00
151030	30' x 1/4" ID	6.00
151050	50' x 1/4" ID	10.00
151075	75' x 1/4" ID	15.00
151090	100' x 1/4" ID	20.00
151000*	Full Reel	

*Full Reel – 700 ft per reel, hose only, 50 ft incremental lengths (max 3 pieces)

Part No.	Custom Lengths
----------	----------------

3/8" Hose	
153000	per ft / hose only
150232*	add fitting(s) and bend restrictor
150205*	add fitting(s) only

1/2" Hose	
155400	per ft / hose only
150220*	add fitting(s) and bend restrictor
150222*	add fitting(s) only

1/4" Hose	
151000	per ft / hose only
150210*	add fitting(s) and bend restrictor
150212*	add fitting(s) only

*Assembly – Add to cost of custom length (labor & fittings - 1 solid, 1 swivel)

Ultima 4500 2-Wire 4500 PSI

Part No.	Size - ID	Approx Wt - lbs
3/8" Black Hose		
154215	15' x 3/8"	5.75
154225	25' x 3/8"	8.00
154250	50' x 3/8"	15.00
154275	75' x 3/8"	22.00
154290	100' x 3/8"	28.00
154294	150' x 3/8"	42.00
154000*	Full Reel	

1/2" Black Hose		
155725	25' x 1/2"	9.25
867206	50' x 1/2"	18.00
155775	75' x 1/2"	26.80
707223	100' x 1/2"	35.50
155700**	Full Reel	

*Full Reel – 500 ft per reel, hose only, 50 ft incremental lengths (max 3 pieces)

**Full Reel – 330 ft per reel, hose only (max 3 pieces)

Part No.	Custom Lengths
----------	----------------

3/8" Hose	
154000	per ft / hose only
150204*	add fitting(s) and bend restrictor
150202*	add fitting(s) only

*Assembly – Add to cost of custom length (labor & fittings - 1 solid, 1 swivel)

1/2" Hose	
155700	per ft / hose only
150224*	add fitting(s) and bend restrictor
150222*	add fitting(s) only

*Assembly – Add to cost of custom length (labor & fittings - 1 solid MPT, 1 swivel MPT)

3/8" Blue Non-Marking Hose

Fat & Oil Resistant

Part No.	Size - ID	Approx Wt - lbs
3/8" Blue Hose		
154410	25' x 3/8" ID	8.00
154415	50' x 3/8" ID	15.00
154420	75' x 3/8" ID	22.00
154425	100' x 3/8" ID	28.00
154400*	Full Reel	

*500 ft per reel, hose only, 50 ft incremental lengths (max 3 pieces)

Part No.	Custom Lengths
----------	----------------

3/8" Blue Hose	
154400	per ft / hose only
150204*	add fitting(s) and bend restrictor
150202*	add fitting(s) only

*Assembly – Add to cost of custom length (labor & fittings - 1 solid, 1 swivel)

HOSE & HOSE REELS

Hobby Hose

Replacement hose for most hobby pressure washers sold by mass retailers.



- Thermoplastic cover
- Fiber-braid reinforcement
- 2250 PSI working pressure
- 9000 PSI burst pressure
- M22 x 1.5 fitting inlet
- 14mm seal cone fits Karcher, Generac & Excell
- 15mm seal cone fits Campbell, MI-T-M

Part No.	Seal Cone	ID	Length
150245	14mm	1/4"	25 ft
150246	15mm	1/4"	25 ft

4-02010025M	22mm*	1/4"	25 ft
-------------	-------	------	-------

NOTE: See Hobby Gun and Lance on page 32

*Both Ends

Whitewater® Combination Steam Hose



Good up to 3000 PSI / 250°F or 350 PSI / 325°F (1/2" hose 2500 PSI max).



- Single high-tensile steel wire braid
- High temperature bend restrictors – both ends
- Seamless innertube
- Solid 3/8" or 1/2" MPT connectors – both ends (Swivel ends NOT available)
- Oil-resistant cover

Part No.	Size	PSI
3/8" Hose		
867421	30'	up to 3000
707180	50'	up to 3000
153925	25'	up to 3000
153975	75'	up to 3000
153990	100'	up to 3000
153900*	Full Reel	

Part No.	Size	PSI
1/2" Hose		
155625	25'	up to 2500
155650	50'	up to 2500
155675	75'	up to 2500
155690	100'	up to 2500
155600*	Full Reel	

*500 ft per reel, hose only, 50 ft incremental lengths (max 3 pieces)

Part No.	Custom Lengths
----------	----------------

Part No.	Custom Lengths
3/8" Hose	
153900	per ft / hose only
150215*	add fitting(s) and bend restrictor
150216*	add fitting(s) only

Part No.	Custom Lengths
1/2" Hose	
155600	per ft / hose only
150230*	add fitting(s) and bend restrictor
150228*	add fitting(s) only

*Assembly – Add to cost of custom length (labor & fittings - 2 solid MPT)

Orange 600 & Ribbed PVC Sprayer Hose



Braid reinforced PVC hose designed specifically for AG / Pest control spraying applications.

- Tough Ribbed Cover
- Color - Orange
- 600 PSI max pressure
- Bulk Hose Standard in 300' Single Length Coils
- Resists Abrasion and UV Rays

Part No.	Size
3/8" Hose 1/2" Hose 3/4" Hose	
150630	300' Coil (Single, Uncut Length)
150634	50' Length (Bulk)
150636	100' Length (Bulk)
150632	Per Foot (Minimum 25')

NOTE: All Above Hoses Can Be Custom Fitted – with MPT Fittings, Male or Female Garden Hose Solid or Swivel Fittings, with or without Bend Restrictors, etc. Combinations Are Too Numerous To List – CALL FOR CUSTOM ASSEMBLY PRICING!

Garden Hose - APEX Quality



- Rated for cold water use
- Reinforced hoses for flexibility & strength in all weather
- Assemblies complete with bend restrictor
- 5/8" or larger ID for full flow
- Choice of Commercial or Heavy-duty grade
- Commercial grade has machined octagonal "wrench tight" fittings

Part No.	Length	ID	Grade	Color
121315	50'	5/8"	Com	Gray
121319	100'	5/8"	Com	Gray
121332	50'	5/8"	HD	Lt. Green
121336	100'	5/8"	HD	Lt. Green

Part No.	Length	ID	Grade	Color
All Rubber Reinforced Hot Water (160°F) Hose				
121344	50'	5/8"	Com	Red
121348	50'	3/4"	Com	Red

Part No.	Length	ID	Grade	Color
Industrial Grade Hose				
707235	50'	5/8"	Ind	Black

Hose Bend Restrictors



- Top quality molded fit bend restrictors
- Fits snugly to prevent kinks near the connectors
- Non-slip sure fit
- Easy installation, 325°F

Part No.	Size	Hose Size/Type	Color/Material
150166	5.3"	1/4" 1 wire	Black Vinyl
150161	6.0"	3/8" 1 wire	Black Vinyl
150164	6.0"	3/8" 2 wire	Red Vinyl
150170	7.0"	1/2" 1 wire	Black Vinyl
150168	7.0"	1/2" 2 wire	Red Vinyl
150174	6.5"	3/8" Combo	Gray Vinyl
150172*	6.5"	1/2" Combo	Black Rubber

*Insulated Rubber

Connector Hose - 2' - 10'



Connector hose come with 1 solid / 1 swivel end. NOTE: Add suffix "B" to include 6" bend restrictor.

Part No.	Lengths	Part No.	Lengths
3/8" Ultima - 2 wire 4500 PSI			
154102	2'	154107	7'
154103	3'	154108	8'
154104	4'	154109	9'
154105	5'	154110	10'
154106	6'		

NOTE: Add suffix "B" to include Bend Restrictors

Part No.	Lengths	Part No.	Lengths
3/8" Apex 3000 - 1 wire 3000 PSI			
153002	2'	153007	7'
153003	3'	153008	8'
153004	4'	153009	9'
153005	5'	153010	10'
153006	6'		

NOTE: Add suffix "B" to include Bend Restrictors

Part No.	Lengths	Part No.	Lengths
1/2" Ultima 4500 - 2 wire 4500 PSI			
155702	2'	155707	7'
155703	3'	155708	8'
155704	4'	155709	9'
155705	5'	155710	10'
155706	6'		

NOTE: Add suffix "B" to include Bend Restrictors

Part No.	Lengths	Part No.	Lengths
1/4" Apex 3000 - 1 wire 3000 PSI			
151002	2'	151007	7'
151003	3'	151008	8'
151004	4'	151009	9'
151005	5'	151010	10'
151006	6'		

NOTE: Add suffix "B" to include Bend Restrictors

Connector Hose / Carwash Bay Hose - 12' - 25'



All Carwash Bay hose come with Solid Male Pipe on both ends. Add suffix "B" to include bend restrictors on one end. See other options at the bottom of this page.

Part No.	Lengths	Part No.	Lengths
3/8" Apex 3000 - 1 wire 3000 PSI			
261212	12'	261219	19'
261213	13'	261220	20'
261214	14'	261221	21'
261215	15'	261222	22'
261216	16'	261223	23'
261217	17'	261224	24'
261218	18'	261225	25'

NOTE: Add suffix "B" to include Bend Restrictors

Part No.	Lengths	Part No.	Lengths
1/4" Apex 3000 - 1 wire 3000 PSI			
261112	12'	261119	19'
261113	13'	261120	20'
261114	14'	261121	21'
261115	15'	261122	22'
261116	16'	261123	23'
261117	17'	261124	24'
261118	18'	261125	25'

NOTE: Add suffix "B" to include Bend Restrictors

Part No.	Lengths	Part No.	Lengths
3/8" Blue - 1 wire 3000 PSI			
261312	12'	261319	19'
261313	13'	261320	20'
261314	14'	261321	21'
261315	15'	261322	22'
261316	16'	261323	23'
261317	17'	261324	24'
261318	18'	261325	25'

NOTE: Add suffix "B" to include Bend Restrictors

Part No.	Lengths	Part No.	Lengths
1/4" Blue - 1 wire 3000 PSI			
261362	12'	261369	19'
261363	13'	261370	20'
261364	14'	261371	21'
261365	15'	261372	22'
261366	16'	261373	23'
261367	17'	261374	24'
261368	18'	261375	25'

NOTE: Add suffix "B" to include Bend Restrictors

The “Engineered” Reusable Couplings

Design and Build Your Own Hose or Adapt and Repair Hose in the Field (No Crimper Required)



Reusable Couplings for 1 Wire Braid Hose

Part No.	ID x MPT	Type
150502	1/4" x 1/4"	Solid
150505	1/4" x 1/4"	Swivel
150510	3/8" x 1/4"	Solid
150511	3/8" x 3/8"	Solid
150513	3/8" x 3/8"	Swivel
150515	1/2" x 3/8"	Solid
150516	1/2" x 1/2"	Solid
150518	1/2" x 1/2"	Swivel

Reusable Couplings for 2 Wire Braid Hose

Part No.	ID x MPT	Type
150532	1/4" x 1/4"	Solid
150535	1/4" x 1/4"	Swivel
150540	3/8" x 1/4"	Solid
150541	3/8" x 3/8"	Solid
150543	3/8" x 3/8"	Swivel
150546	1/2" x 1/2"	Solid
150548	1/2" x 1/2"	Swivel

Clear PVC Tubing



- “Box Pak” 100 ft
- 25°F to 150°F
- Very flexible – Non-reinforced
- Packaged in self-dispensing box

Part No.	ID	OD	WP @ 70°
121070	1/4"	3/8"	55
121106	1/2"	5/8"	30
961506	1/4"	1/2"	Sold by the foot

Flex Line Bypass / Supply Line Hose

Industrial PVC hose with black seamless inner tube, polyester braid reinforced tough outer cover. Excellent for use as supply lines or bypass lines. Typically used for air hoses.



- Looks & feels like rubber
- Smooth dirt- & oil-resistant finish
- Super flexible
- Abrasion-resistant cover
- Burst-rated 3 times WP

Part No.	ID x OD	WP @ 70°	Roll Length
Red Cover, heavy wall			
121081	3/8" x .634"	300	50'
121084	3/8" x .634"	300	500'
121087	1/2" x .792"	250	50'
121090	1/2" x .792"	250	500'
121097	3/4" x 1.14"	160	50'
121099	3/4" x 1.14"	160	300'
Black Cover, standard wall			
121143	1/4" x .475"	250	300'
121147	3/8" x .614"	250	100'
121148	3/8" x .614"	250	300'
121153	1/2" x .752"	250	300'
Blue Cover, standard wall			
121160	1/4" x .475"	250	100'
121165	3/8" x .614"	250	100'
121166	3/8" x .614"	250	300'

Clear Reinforced PVC Tubing

Multi-use industrial grade tubing with high resistance to chemicals, solvents & fuel.



- Reinforced with polyester cord
- Huge selection of sizes and lengths
- 4 to 1 Burst Safety Factor

Part No.	ID x OD	Roll Length	WP @ 70°
961506	1/4" x 1/2"	<small>sold by the foot</small>	
121031	1/4" x 3/8"	25'	250
121032	1/4" x 3/8"	50'	250
121033	1/4" x 3/8"	100'	250
121034	1/4" x 3/8"	300'	250
121036	3/8" x 1/2"	25'	175
121037	3/8" x 1/2"	50'	175
121038	3/8" x 1/2"	100'	175
121039	3/8" x 1/2"	300'	175
121041	1/2" x 3/4"	25'	175
121042	1/2" x 3/4"	50'	175
121043	1/2" x 3/4"	100'	175
121044	1/2" x 3/4"	300'	175
121046	5/8" x 7/8"	25'	140
121047	5/8" x 7/8"	50'	140
121048	5/8" x 7/8"	100'	140
121049	5/8" x 7/8"	300'	140
121051	3/4" x 1"	25'	140
121052	3/4" x 1"	50'	140
121053	3/4" x 1"	100'	140
121054	3/4" x 1"	300'	140
121059	1" x 1-1/4"	25'	75
121060	1" x 1-1/4"	50'	75
121061	1" x 1-1/4"	100'	75
121063	1" x 1-1/4"	200'	75

Pulse Hose



- 1300 PSI working pressure
- Available with either plug-end or open flow with solid/swivel connects
- 3/8" MPT on both styles

Part No.	Description
381118	18" with Plug End
381124	24" with Plug End
381128	28" Solid/Swivel - Open
381136	36" Solid/Swivel - Open

Revolutionary 360° Swivel Design

The Rapid Reel® Pivot Reel takes the muscle and pain out of fighting high-pressure hoses and keeps them safely stored away from traffic. Featuring a sturdy, lockable, 360° swivel design, the Pivot Reel is always aligned with the hose for tangle-free pressure washing. The Pivot Reel offers two types of hose reels: pivot and standard (non-pivot).

All are rated at 5000 PSI and 325°F to meet maximum limits of standard pressure Washer. Reels carry a **two-year warranty**.

Pivot Reels have a number of distinctive features, including stainless steel rotor and dual seal swivel, “flip-over” hose guide, spring-action pin to prevent slippage when winding hose and easy-to-engage cam-lever brake.



- **Pivot Design:** Engineered to keep the reel constantly in alignment with the hose for tangle-free washing.
- **Swivel Action:** Designed specifically for pressure Washer with stainless steel rotor and dual seals backed by two-year leak-free guarantee.
- **‘Flip-Over’ Hose Guide:** For ease in winding and unwinding as well as keeping hands clean and injury free.
- **Slip Protection:** Spring-action, stainless steel pin is quickly engaged or disengaged to prevent slippage during reel operation.
- **Cam-Lever Brake:** Made of durable components, turns on and off with the flick of a finger.
- **Hose Attachment:** Innovative design protects hose from hard pulls so that the strain is absorbed by a cushioned hose clamp.

360° Rapid Reel Pivot Reel

Features a sturdy, lockable 360° pivot design. Numerous mounting options. These patented pivot reels are always aligned with the hose for tangle-free pressure washing. Rated at 5000 PSI and 325°F.



- Red powder coat finish with white Hotsy logo
- Up to 5000 PSI @ 325°F
- **Heavy-duty swivel with a 2 year “no leak” guarantee**
- Pivoting action keeps reel in constant alignment with hose
- Mounting kit required

Part No.	Capacity	Model No.
860202	100' x 3/8"	RQ 5513
860201	200' x 3/8"	RQ 5516

Rapid Reel Non-Pivot Hose Reels

Versatile line for high-pressure hose. Numerous mounting options. High-pressure reels carry a 2-year warranty and are rated at 5000 PSI and 325°F.



- Red powder coat finish with white Hotsy logo
- Up to 5000 PSI @ 325°F
- **Heavy-duty swivel with a 2 year “no leak” guarantee**
- Mounting kit required



Non-pivot reels are designed to be bolted to one of the mounting brackets listed under “Non-Pivot reel kits”.

Part No.	Capacity	Model No.
860204	100' x 3/8"	RQ 4413
860203	200' x 3/8"	RQ 4416

HOSE & HOSE REELS

Brackets

These brackets are to be used on machines that **DO NOT** have the factory installed receiver.



Part No.	Description
615580	Universal
615582	Wall Mount Pivot

Non-Pivot Accessories



Part No.	Description
615584	Base for Wall Mount Non-Pivot
615585	Vertical Support Arm Non-Pivot
707293	45° Support Arm Non-Pivot
707298	90° Support Arm Non-Pivot

Repair Parts

707248	Handle, Hose Reel
875724	Stainless Steel Swivel, 1/2" FPT & 3/8" FPT
753150	Repair Kit for Swivel
707231	Jumper Hose 3/8" x 36" 3/8 MS
867308	Jumper Hose 3/8" x 54" 3/8 MS

*Brackets only. Hose reels and hose not included.

HOTSY EZ Reel Kits



The Hotsy EZ Reel is built tough and affordable. Holds 100' of 3/8" ID hose. Convenient mounting kits have been designed to adapt this reel to most Hotsy models. See below.



- 4000 PSI @ 225°F
- Solid center core
- These mounting kits contain connection hoses, hardware and reel

Part No.	Description	Model No.
280790	100' 3/8" Hose, Hose Reel Kit	555/790 SS
280791	100' 3/8" Hose, Hose Reel Kit	560 SS
280792	100' 3/8" Hose, Hose Reel Kit	900-1400 Series
875778	Replacement Swivel	
753295	Repair Kit, Swivel	
753296	Replacement Handle	

Cox Hose Reels



Cox reels offer high performance in a very compact and lightweight hand crank hose reel. Perfect for mobile application and permanent floor and wall mount.



4-02750001



4-02750003

- Rated up to 4000 PSI
- -20°F to 225°F
- Adjustable drag brake
- 90° brass swivel

Part No.	Length	PSI
4-02750001	175' x 3/8"	3000
4-02750002	50' x 3/8"	4000
4-02750003	100' x 3/8"	4000
4-020362	Replacement Swivel, 1/2"	
4-020363	Replacement Swivel, 3/8"	
4-020368	Swivel Repair Kit	
4-020369	Handle Replacement	
4-020366	Locking Pin Assy	



AP Hose Reels

AP hose reels have been designed to perfectly balance ruggedness and durability with affordability.



Swivel Repair Kits

Part No.
753295

Replacement Swivels

See pages 48



Swivel Repair Kits

Part No.	Hose Dia
075130	3/8"
075128	1/2"
110025*	

*For Round Swivels

Replacement Swivels

See pages 48

- Flared flanges for maximum capacity
- Solid center core for maximum strength
- Rolled beaded edge flanges for maximum safety
- Easy mounting options for maximum versatility
- "Posi-Pin" lock, prevents unwanted dereeling
- Heavy-duty powder coated steel
- Easy access external swivel
- 4000 PSI working pressure
- Rated temp: 225°F
- 3/8" or 1/2" Inlet/Outlet

Part No.	Hose Dia	Capacity (ft)	Core Width	Flange Width	Flange Dia	Overall Height
386188	3/8"	50	4.3	7.9	10.5	13.0"
386191	3/8"	100	8.7	12.2	10.5	13.0"
386206	3/8"	150	6.3	10.2	13.0	16.7"
386209	1/2"	100	6.3	10.2	13.0	16.7"

NOTE: Hose is not included . See page 39 for connector hoses.

- Super-reinforced core – Won't collapse!
- Adjustable brake for controlled reel tension
- Convenient external swivel
- Manual rewind handle included
- Solid core bolts onto flanges for extra strength
- 225°F max temperature
- Snap lock to prevent accidental dereeling
- Bearings have oil cap for easy field maintenance
- 4000 PSI working pressure

Professional Size Reel

Part No.	Hose Dia	Capacity (ft)	Reel Size Width	Reel Size Dia
386174	3/8"	150	6"	18"
386175	3/8"	300	10"	18"
386176	3/8"	350	14"	18"
386181	1/2"	200	10"	18"
386182	1/2"	270	14"	18"

NOTE: Hose is not included. Interchangeable parts available. Call for pricing. See page 39 for connector hoses.

Space Saver Reel

Part No.	Hose Dia	Capacity (ft)	Reel Size Width	Reel Size Dia
386171	3/8"	90	6"	14"
386172	3/8"	140	10"	14"
386173	3/8"	200	14"	14"
386178	1/2"	115	10"	14"
386179	1/2"	150	14"	14"

NOTE: Hose is not included. Interchangeable parts available. Call for pricing. See page 39 for connector hoses.